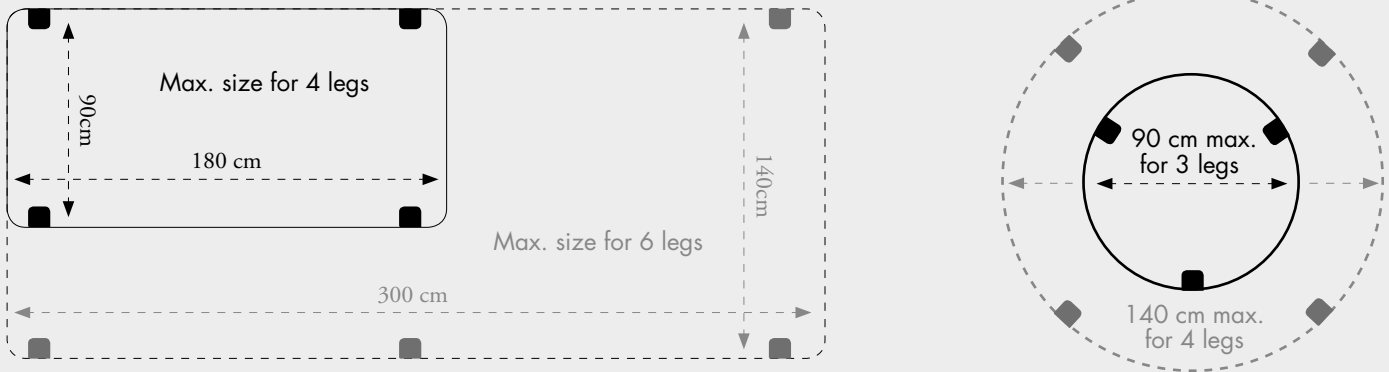


DO'S & DON'T

TABLE TOP SIZE AND RECOMMENDED LEG NUMBER (75CM HEIGHT)



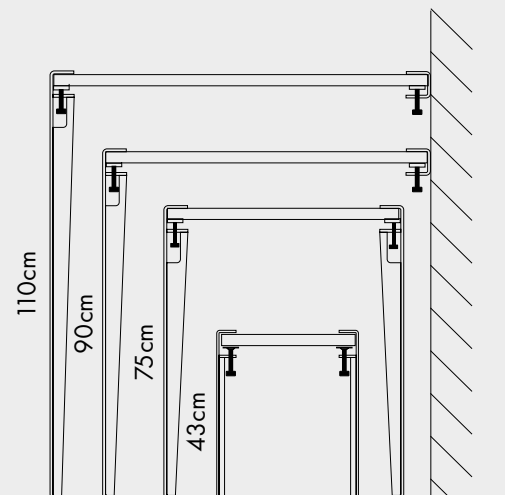
RECOMMENDED MINIMUM THICKNESS DEPENDING ON SIZE & TOP MATERIAL

For dining tables and desks equipped with four 75cm TIPTOE legs

	MASSIVE WOOD	AGGLOMERATE WOOD	MDF WOOD	OSB WOOD	PLYWOOD
Up to 120cm length	30mm	30mm	30mm	30mm	30mm
Up to 160cm length	35mm	40mm	40mm	Not recommended	36mm
From 160 cm length	40mm with reinforcements	Not recommended	Not recommended	Not recommended	36mm with reinforcements

LEGS FOR HIGH TABLE (90CM & 110CM) AND WALL ANCHORING

The **90CM** et **110CM** have been designed to make high tables anchored to a wall thanks to TIPTOE's wall **BRACKET**, or any other attachment system.



THESE LEGS (90CM & 110CM) ARE NOT DESIGNED TO MAKE FREE STANDING WORKTOPS OR BAR TABLES.

INSTALLATION & USAGE GUIDE

CONTENT & UNBOXING OF A TIPTOE PRODUCT

Every TIPTOE product is delivered individually packed. Should you receive a product in a damaged pack, please examine carefully the product's state.

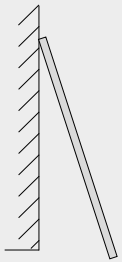
Unpack carefully the product before you assemble your furniture and lay it down on a flat and smooth surface.



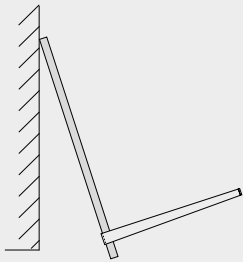
DO NOT BANG TIPTOE'S LEGS TOGETHER, THE PAINT MIGHT GET DAMAGED.

In each product's pack you will find an Allen wrench necessary to tighten properly your furniture. Make sure you do not throw it away with the packaging.

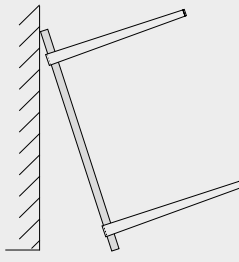
TIPTOE LEG SETTING ON A TABLE TOP



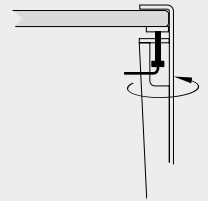
Install the table top up against a wall.



Starting with the bottom legs, clamp the legs in place

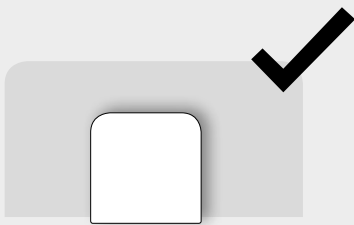


With the help of another person upturn the table in place



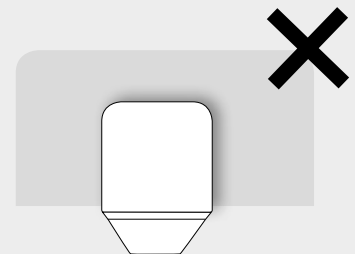
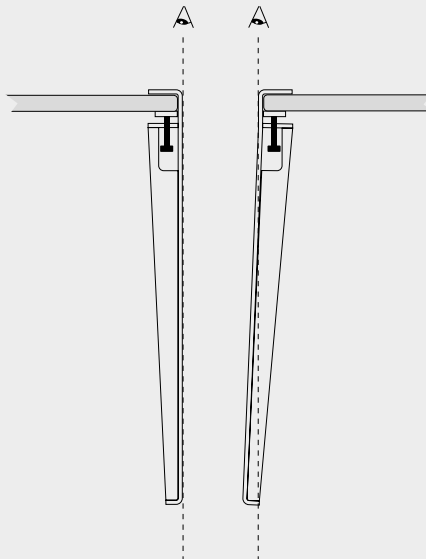
Tighten each screw with the provided Allen wrench.

HOW TO CHECK IF THE LEGS ARE PROPERLY TIGHTENED



Seen from above, the legs is vertical.

The leg is properly tightened.



An over tightened leg will bend outwards.

Loosen the screw until the leg is vertical.