

ONE MORE LOOK | MIRROR

Designed by Jonas Søndergaard



DIMENSIONS (H x W x D)
118 x 78 x 15 cm / 46 x 31 x 6"



MATERIAL
Solid oak, MDF, glass, steel (plated brass) and leather (faux leather)



CONSTRUCTION
Wood: Solid oak. Dowel joinery. Reinforced with glue. Clear top coat wood finish. **Cabinet front:** Painted MDF. **Steel:** Main bracket is powder coated. **Chain & Hinges:** Brass plated **Magnets:** Heavy duty ferrite magnet. **Mirror:** Hardened glass. **Tray:** Leather (faux leather).



WEIGHT INCL. PACKAGING
Box 1: 13.5 kg / 30 lbs
Box 2: 1 kg / 2.2 lbs



PACKAGING DIMENSIONS (L x W x H)
Box 1: 86.5 x 46 x 23 cm / 34 x 18 x 9"
Box 2: 26.5 x 27.5 x 3.5 cm / 10.4 x 11 x 1.4"



ASSEMBLY TIME
45 min - video guide at umage.com



MEDIA KIT
Photos and press material
Download at umage.presscloud.com



ORDERING INFORMATION

Oak pearl white	#5620C5620-1
Oak anthracite grey	#5620C5620-2
Oak forest green	#5620C5620-3
Oak petrol blue	#5620C5620-4
Oak ruby rose	#5620C5620-5
Oak saffron yellow	#5620C5620-6
Oak nuance mist	#5620C5620-7
Oak nuance olive	#5620C5620-8
Oak nuance rose	#5620C5620-9
Oak nuance orange	#5620C5620-10
Oak	#5620C5620-11
Oak venetian cane	#5620C5620-12
Dark oak pearl white	#5820C5620-1
Dark oak anthracite grey	#5820C5620-2
Dark oak forest green	#5820C5620-3
Dark oak petrol blue	#5820C5620-4
Dark oak ruby rose	#5820C5620-5
Dark oak saffron yellow	#5820C5620-6
Dark oak nuance mist	#5820C5620-7
Dark oak nuance olive	#5820C5620-8
Dark oak nuance rose	#5820C5620-9
Dark oak nuance orange	#5820C5620-10
Black oak pearl white	#5108C5620-1
Black oak anthracite grey	#5108C5620-2
Black oak forest green	#5108C5620-3
Black oak petrol blue	#5108C5620-4
Black oak ruby rose	#5108C5620-5
Black oak saffron yellow	#5108C5620-6
Black oak nuance mist	#5108C5620-7
Black oak nuance olive	#5108C5620-8
Black oak nuance rose	#5108C5620-9
Black oak nuance orange	#5108C5620-10

Colour variations (wood)



oak dark oak black oak

(cabinet front)



pearl white anthracite grey forest green petrol blue ruby red saffron yellow



nuance mist nuance olive nuance rose nuance orange oak venetian cane



UMAGE

ONE MORE LOOK | MIRROR

Designed by Jonas Søndergaard



One More Look, oak, pearl white



One More Look, dark oak, forest green

One More Look is a light and airy mirror with a minimalistic Scandinavian feel and a number of added functions to meet the everyday needs of urban living.

Taking up minimal space, One More Look is ideal for hallways of all sizes and could also work well in the bedroom or in hotels and office corridors.

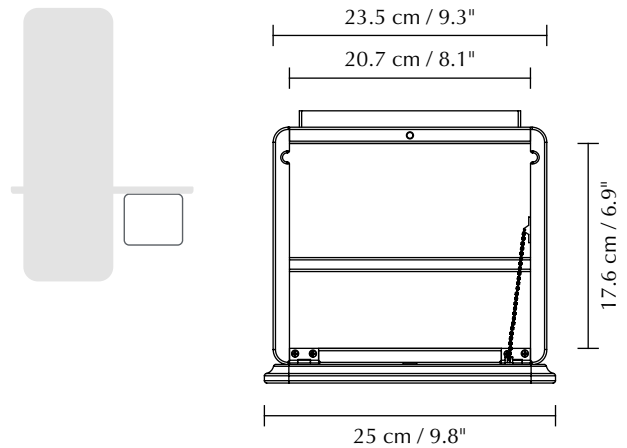
The elegant full-length mirror is just the right height for checking your whole appearance before you leave home and inside the stylish coloured cabinet is an extra removable hand-held mirror.

Smaller items like your keys, makeup, sunglasses, bicycle lights and spare coins can be placed in the leather tray in the cabinet.

Change the look of the One More Look mirror by changing the colour of the little cabinet door. By interchanging the colour of the door you can add new life to the design and your interior.

You can select from a palette of ten colours or opt for the elegance of full oak or the allure of the Venetian cane door.

Find more info on our website umage.com




UMAGE

ONE MORE LOOK | MIRROR

Designed by Jonas Søndergaard

